

6

5

4

3

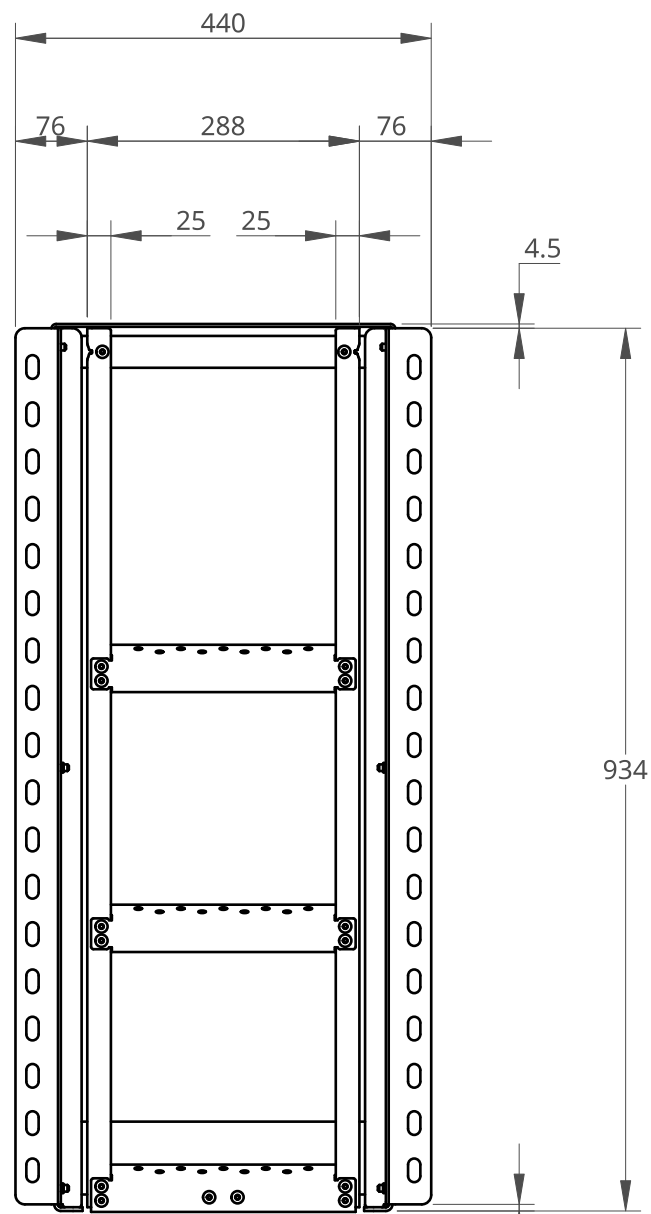
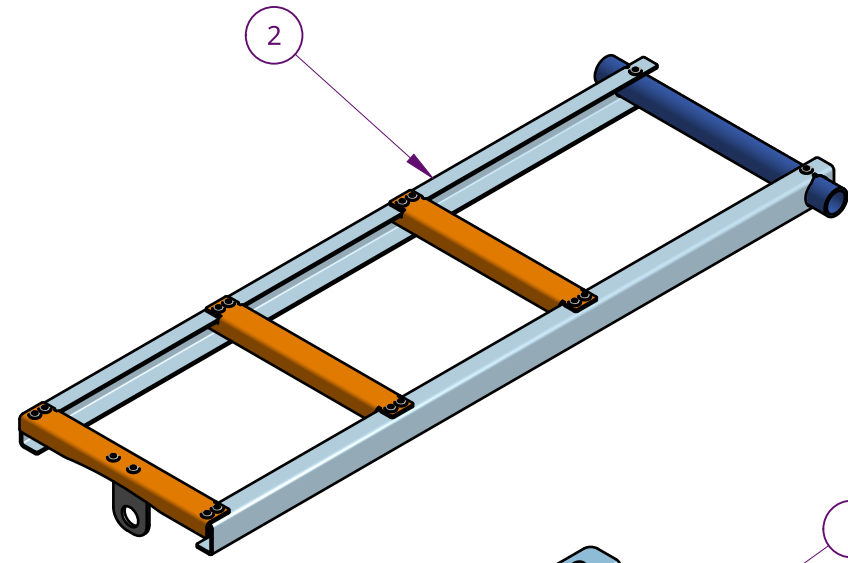
2

1

Item	Part number	Description	Qty
1	FL-310	Folding Ladder Main Frame Assembly - Three Rung	1
2	FL-320	Three Rung Ladder Assembly	1
3	M1225ALF	M12x25 Anti-Luce Fastener	1
4	BHGY1185	Tailgate washer UV stable 28mm	1

D

D



TOP VIEW

FRONT VIEW

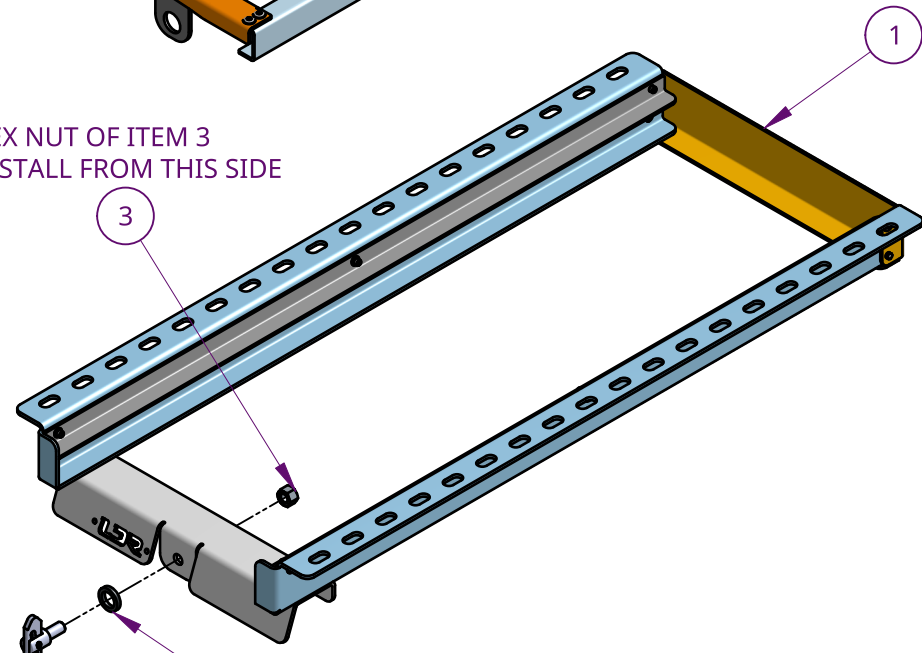
PICTORIAL VIEW

SIDE VIEW

C

C

HEX NUT OF ITEM 3  
INSTALL FROM THIS SIDE



ANTI-LUCE FASTENER BOLT OF ITEM 3  
INSTALL FROM THIS SIDE

EXPLODED VIEW

B

B



**INDUSTRIES**  
 38 Activity St, Warwick Qld 4370 Ph: 07 4661 2730  
 Email: sales@ldrindustries.com.au  
 Website: ldrindustries.com.au

Rev.	Description	Date	Issued by
1	ISSUED FOR MANUFACTURE	30/09/22	LPV

REVISIONS

GENERAL NOTES				JOB NAME		QUANTITY	TITLE	
FINISH  UNLESS OTHERWISE SPECIFIED, DIMENSIONS ARE IN MILLIMETRES BREAK ALL SHARP EDGES AND REMOVE BURRS  TOLERANCES: LINEAR: 1-1000 ± 0.5 >1000 ± 1.0 ANGULAR ± 0.5° UNLESS NOTED OTHERWISE						1	FOLDING LADDER ASSEMBLY - THREE RUNG  FL-300	
						WEIGHT		
				JOB NO.		THICKNESS	DWG NO.	SIZE
DRAWN LIEZEL VISTAN		DATE 29/09/22	MATERIAL	REV. 1				
APPV'D			SCALE 1:8	SHEET 1 of 1				
				DO NOT SCALE DRAWING				

6

5

4

3

2

1

A

A