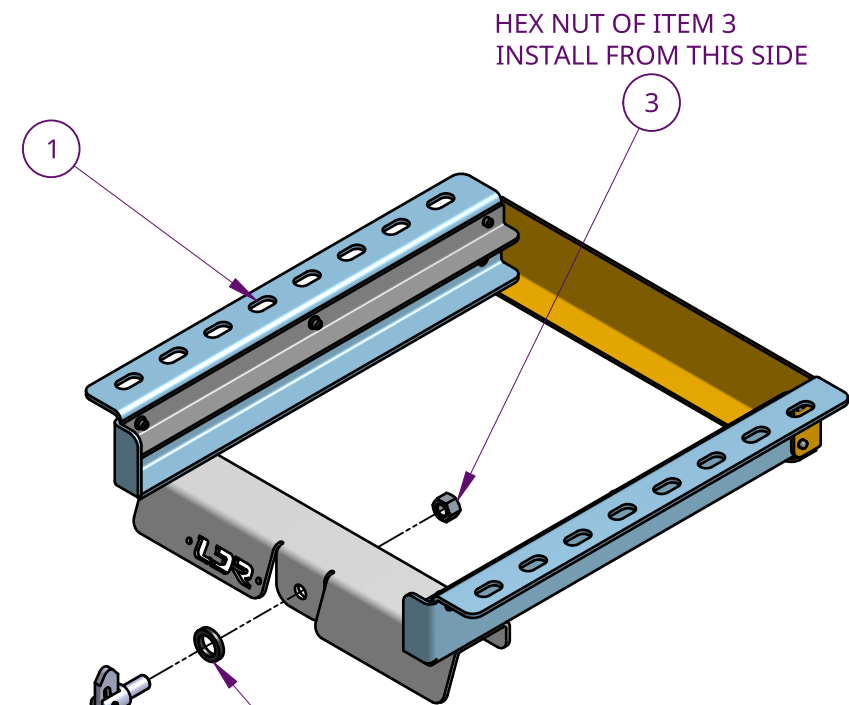
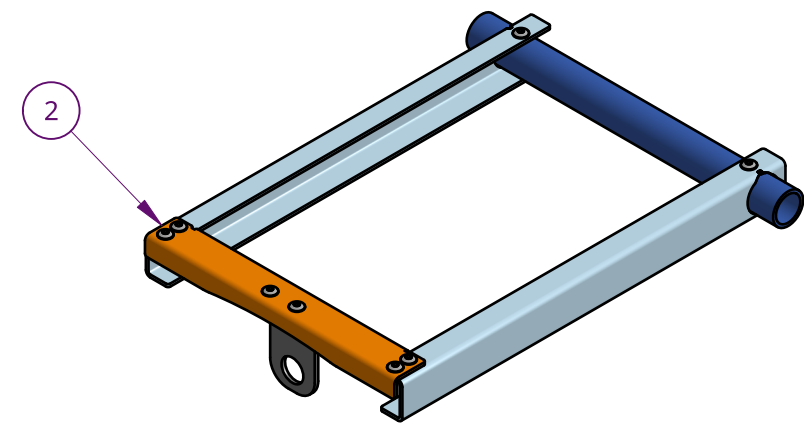


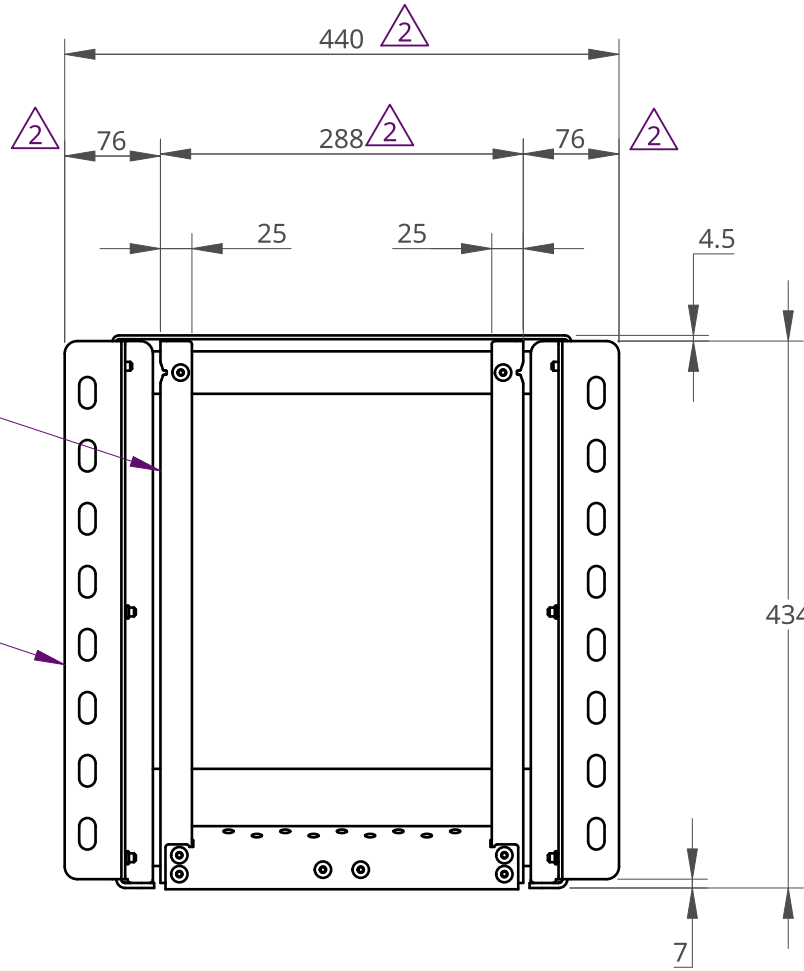
Item	Part number	Description	Qty
1	FL-110	Folding Ladder Main Frame Assembly - Single Rung	1
2	FL-120	Single Rung Ladder Assembly	1
3	M1225ALF	M12x25 Anti-Luce Fastener	1
4	BHGY1185	Tailgate washer UV stable 28mm	1



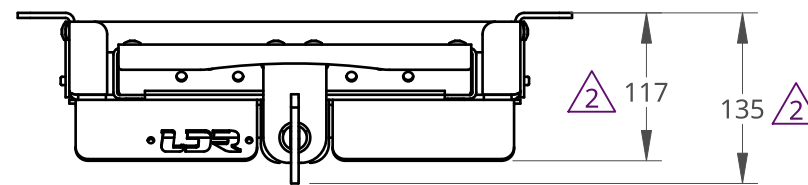
ANTI-LUCE FASTENER BOLT OF ITEM 3
INSTALL FROM THIS SIDE

EXPLODED VIEW

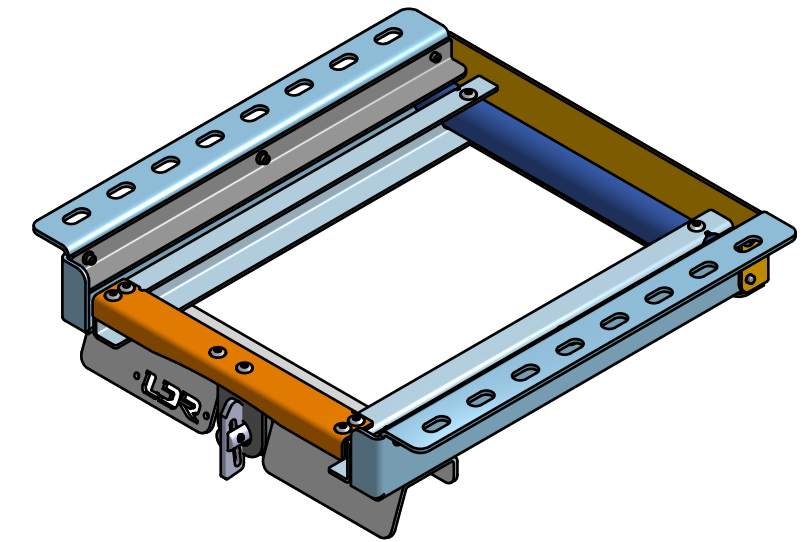
HEX NUT OF ITEM 3
INSTALL FROM THIS SIDE



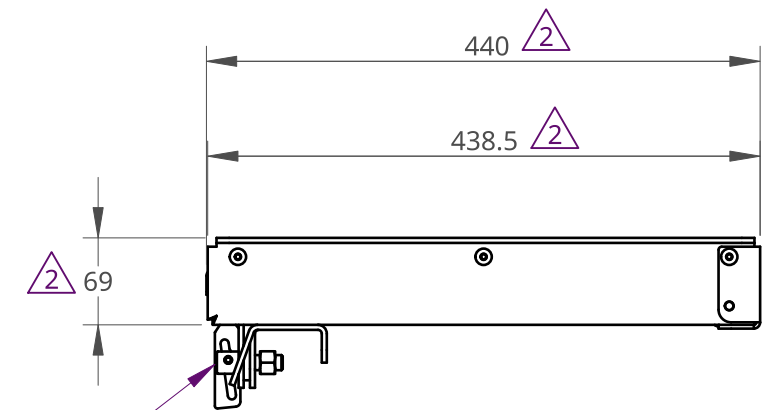
TOP VIEW



FRONT VIEW



PICTORIAL VIEW



SIDE VIEW



INDUSTRIES
38 Activity St, Warwick Qld 4370 Ph: 07 4661 2730
Email: sales@ldrindustries.com.au
Website: ldrindustries.com.au

Rev.	Description	Date	Issued by
2	REVISED PARTS SIZES; ADDED ITEM 4 BHGY1185	21/09/22	LPV
1	ISSUED FOR MANUFACTURE	05/07/22	LPV

REVISIONS

GENERAL NOTES

FINISH
UNLESS OTHERWISE SPECIFIED, DIMENSIONS ARE IN MILLIMETRES
BREAK ALL SHARP EDGES AND REMOVE BURRS
TOLERANCES: LINEAR:
1-1000 = ± 0.5
>1000 = ± 1.0
ANGULAR = ± 0.5°
UNLESS NOTED OTHERWISE

JOB NAME			QUANTITY	TITLE
JOB NO.			1	FOLDING LADDER ASSEMBLY - SINGLE RUNG
DRAWN			WEIGHT	
APPV'D			THICKNESS	
NAME	DATE	MATERIAL	DWG NO.	FL-100
LIEZEL VISTAN	05/07/22		SCALE	1:6
			DO NOT SCALE DRAWING	
			SHEET	1 of 1

FOLDING LADDER ASSEMBLY - SINGLE RUNG

FL-100

SCALE 1:6

DO NOT SCALE DRAWING

SHEET 1 of 1